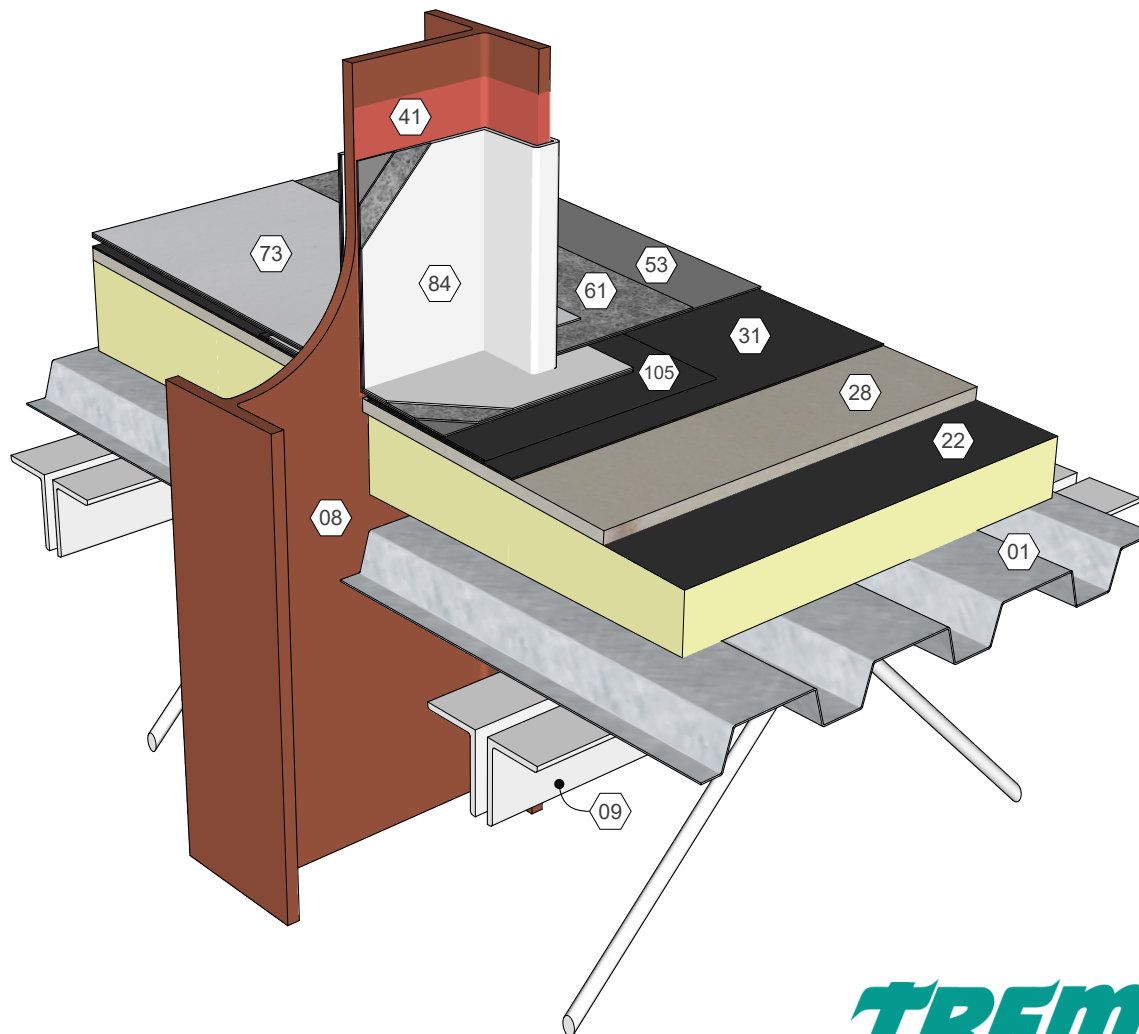
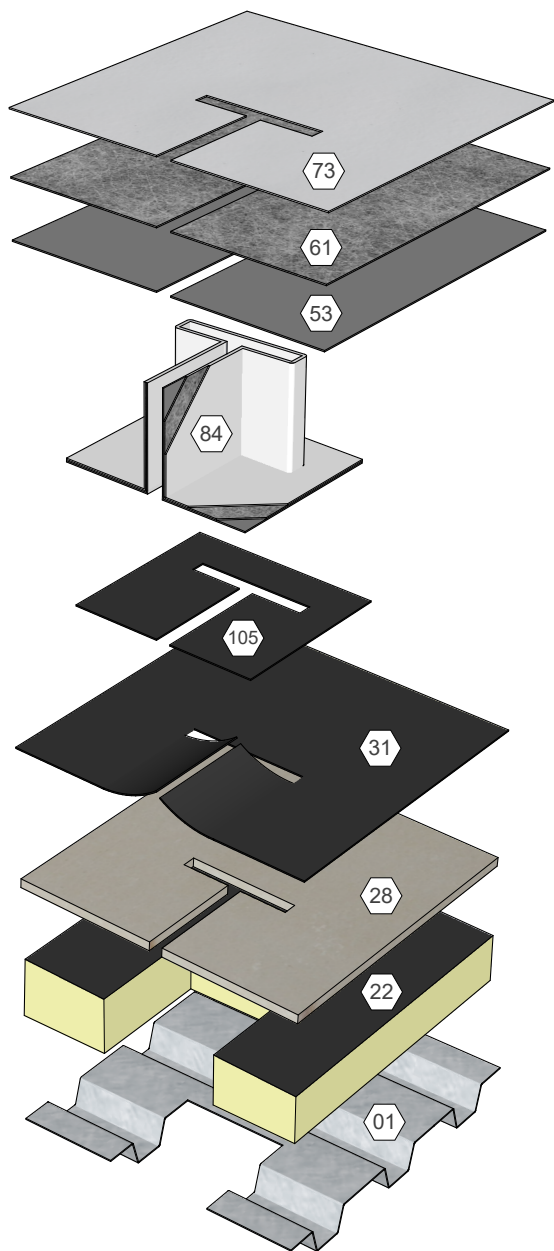


KEY NOTES

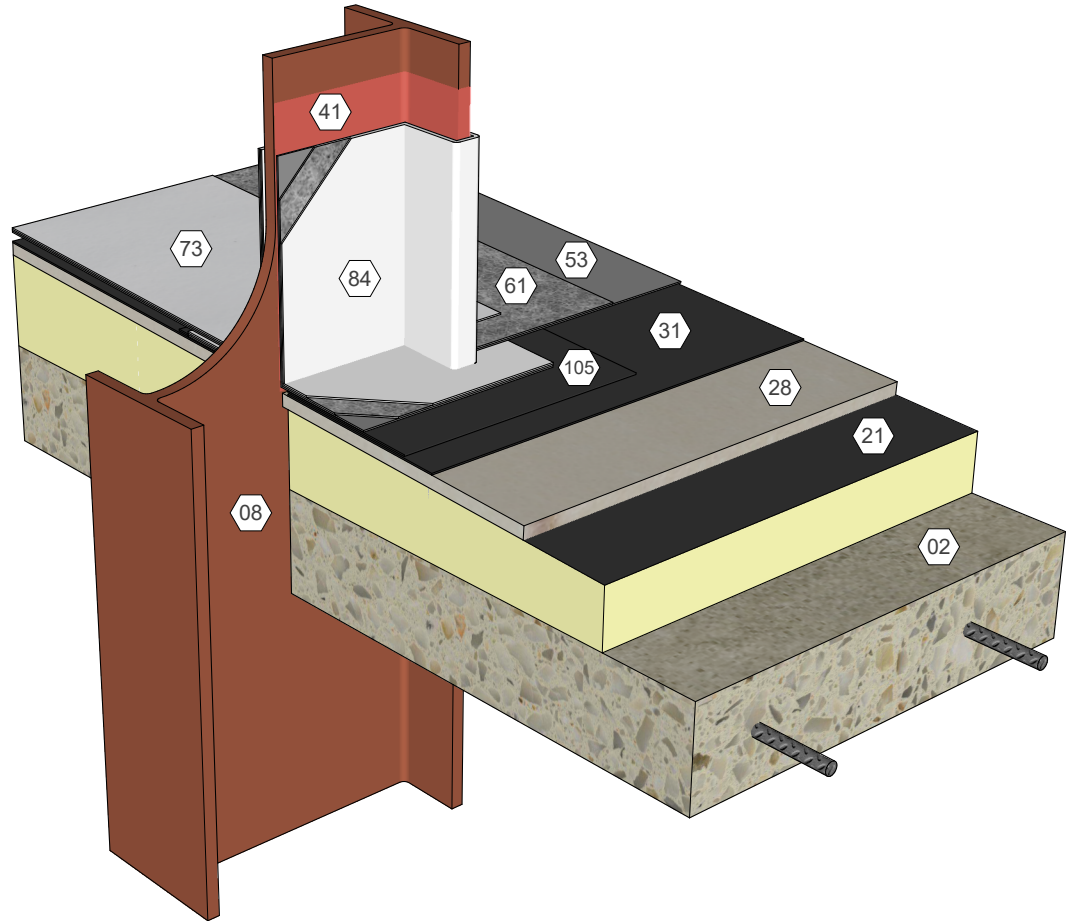
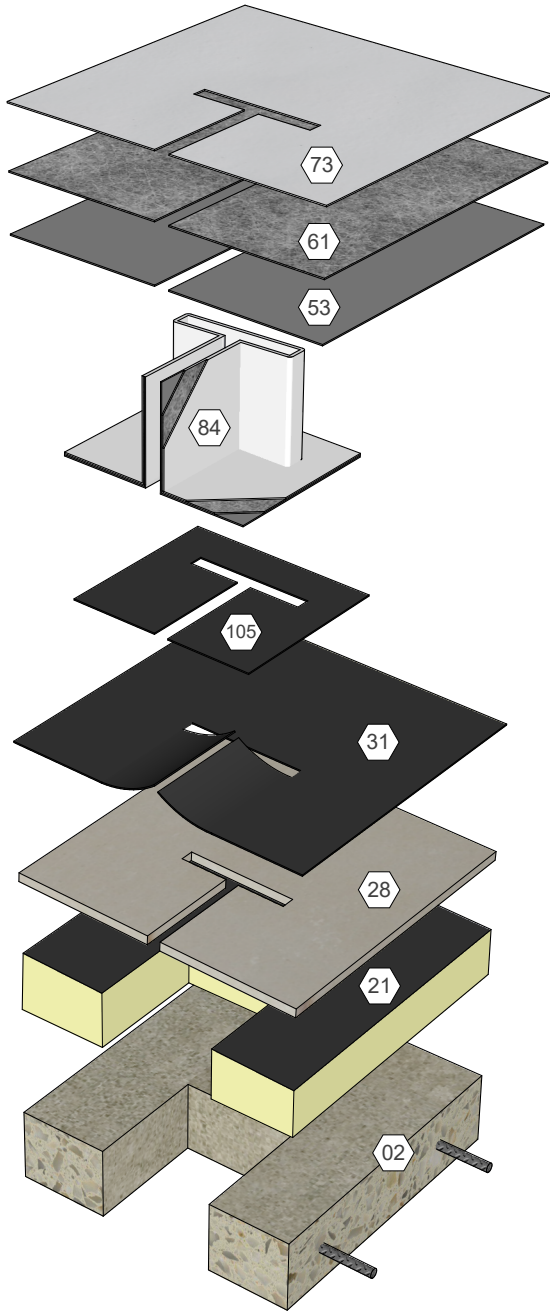
- | | | |
|--|------------------------------|-------------------------------------|
| 01 Metal Deck | 28 Cover Board (Adhered) | 61 AlphaGuard Glass Mat or Permafab |
| 08 Structural Member | 31 Approved Base Ply Sheet | 73 AlphaGuard PUMA Top Coat |
| 09 Roof Structure | 41 Approved Primer | 84 AlphaGuard Flashing |
| 22 Polyisocyanurate Insulation (Fastened or Adhered) | 53 AlphaGuard PUMA Base Coat | 105 Target Patch |



AlphaGuard® PUMA Plus Structural Member Through Metal Deck Detail
Detail 24141

KEY NOTES

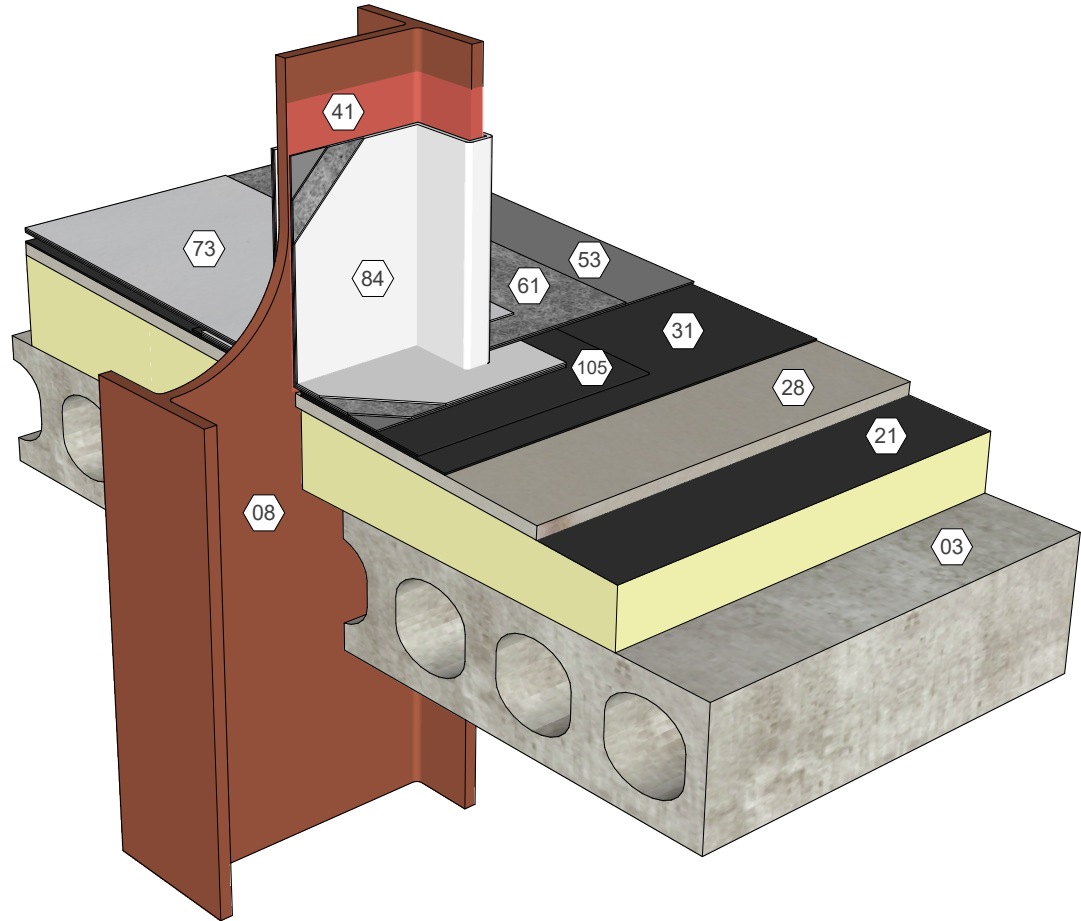
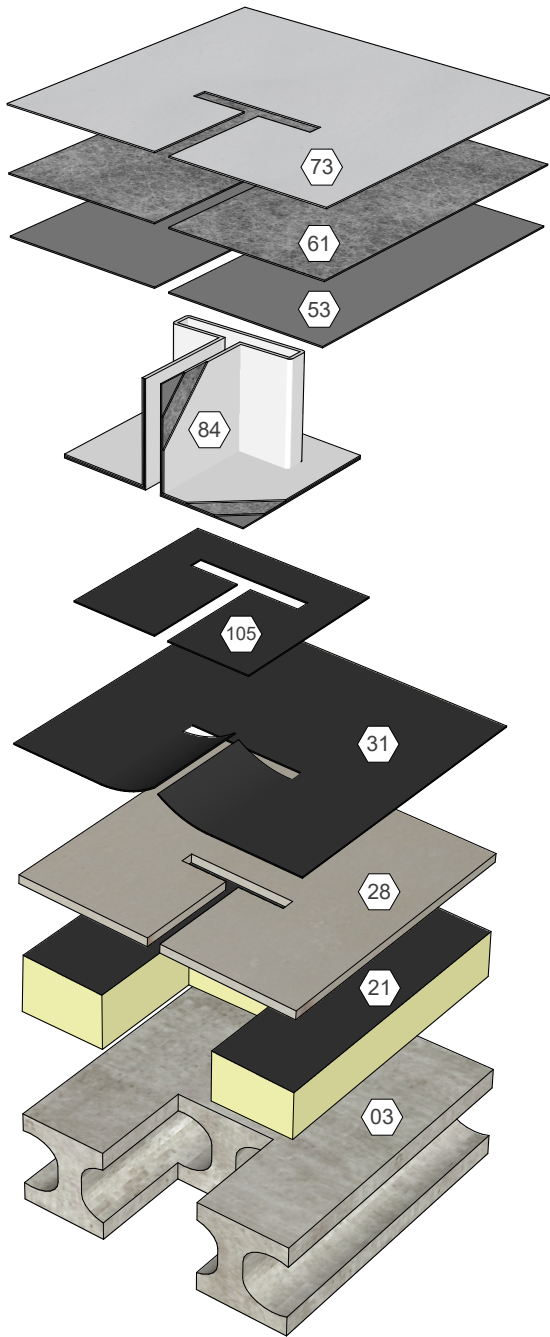
- | | | |
|--|-------------------------------------|-----------------------------|
| 02 Structural Concrete Deck | 31 Approved Base Ply Sheet | 73 AlphaGuard PUMA Top Coat |
| 08 Structural Member | 41 Approved Primer | 84 AlphaGuard Flashing |
| 21 Polyisocyanurate Insulation (Adhered) | 53 AlphaGuard PUMA Base Coat | 105 Target Patch |
| 28 Cover Board (Adhered) | 61 AlphaGuard Glass Mat or Permafab | |



AlphaGuard® PUMA Plus Structural Member Through Structural Concrete Deck Detail
Detail 24142

KEY NOTES

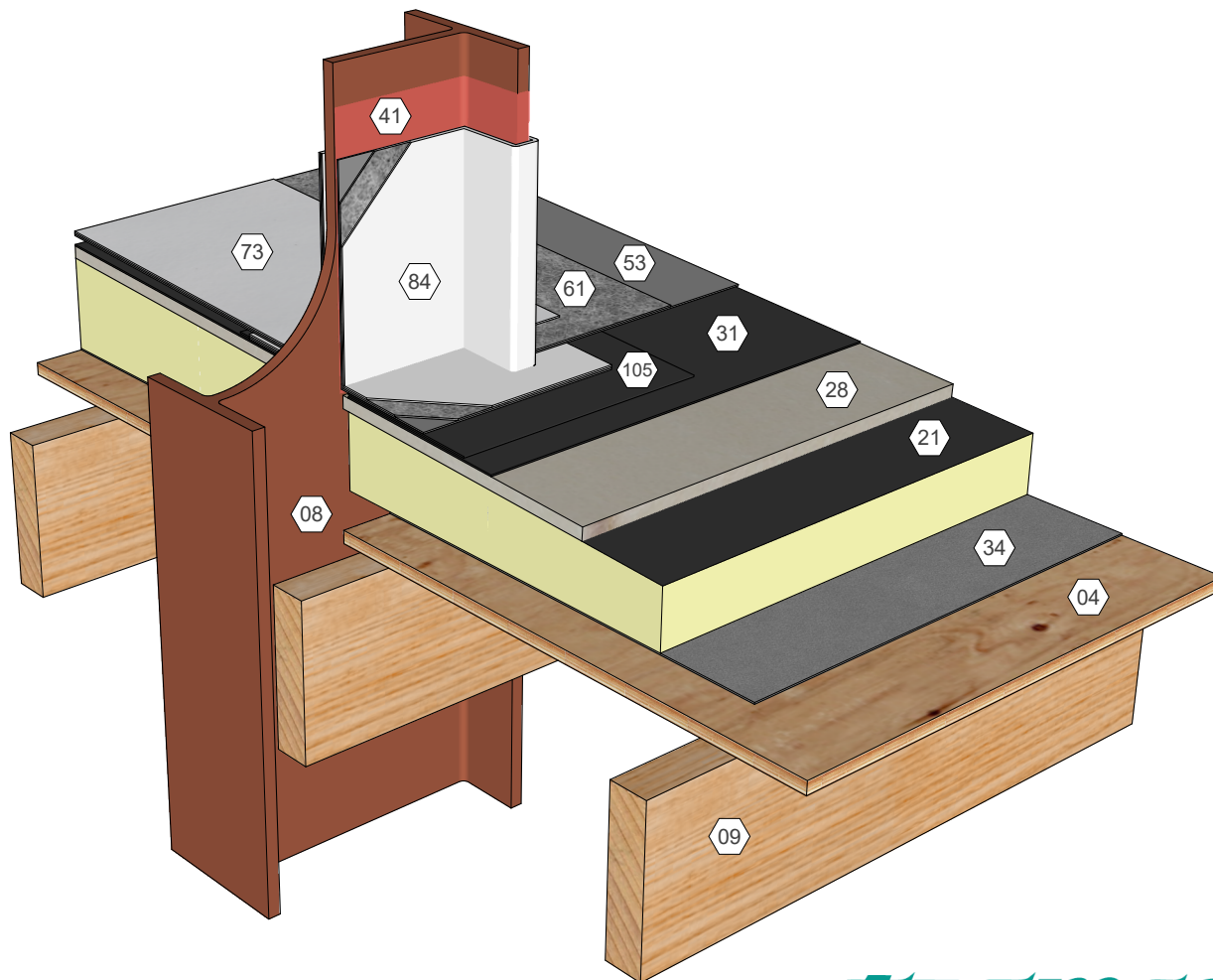
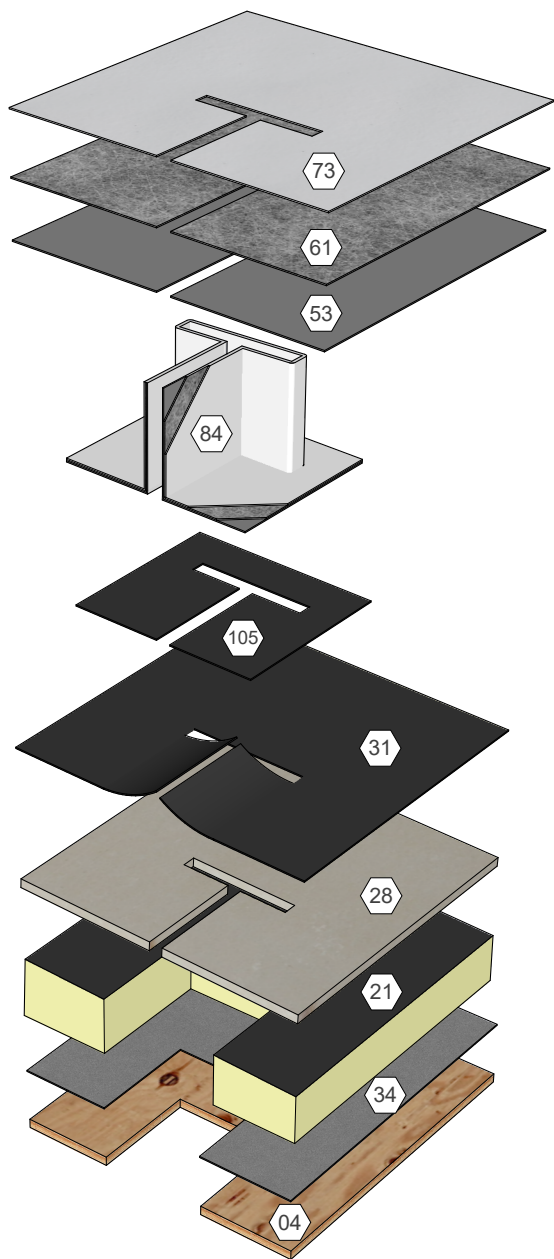
- | | | |
|---|--------------------------------------|------------------------------|
| 03) Precast Concrete Deck | 31) Approved Base Ply Sheet | 73) AlphaGuard PUMA Top Coat |
| 08) Structural Member | 41) Approved Primer | 84) AlphaGuard Flashing |
| 21) Polyisocyanurate Insulation (Adhered) | 53) AlphaGuard PUMA Base Coat | 105) Target Patch |
| 28) Cover Board (Adhered) | 61) AlphaGuard Glass Mat or Permafab | |



AlphaGuard® PUMA Plus Structural Member Through Precast Concrete Deck Detail
Detail 24143

KEY NOTES

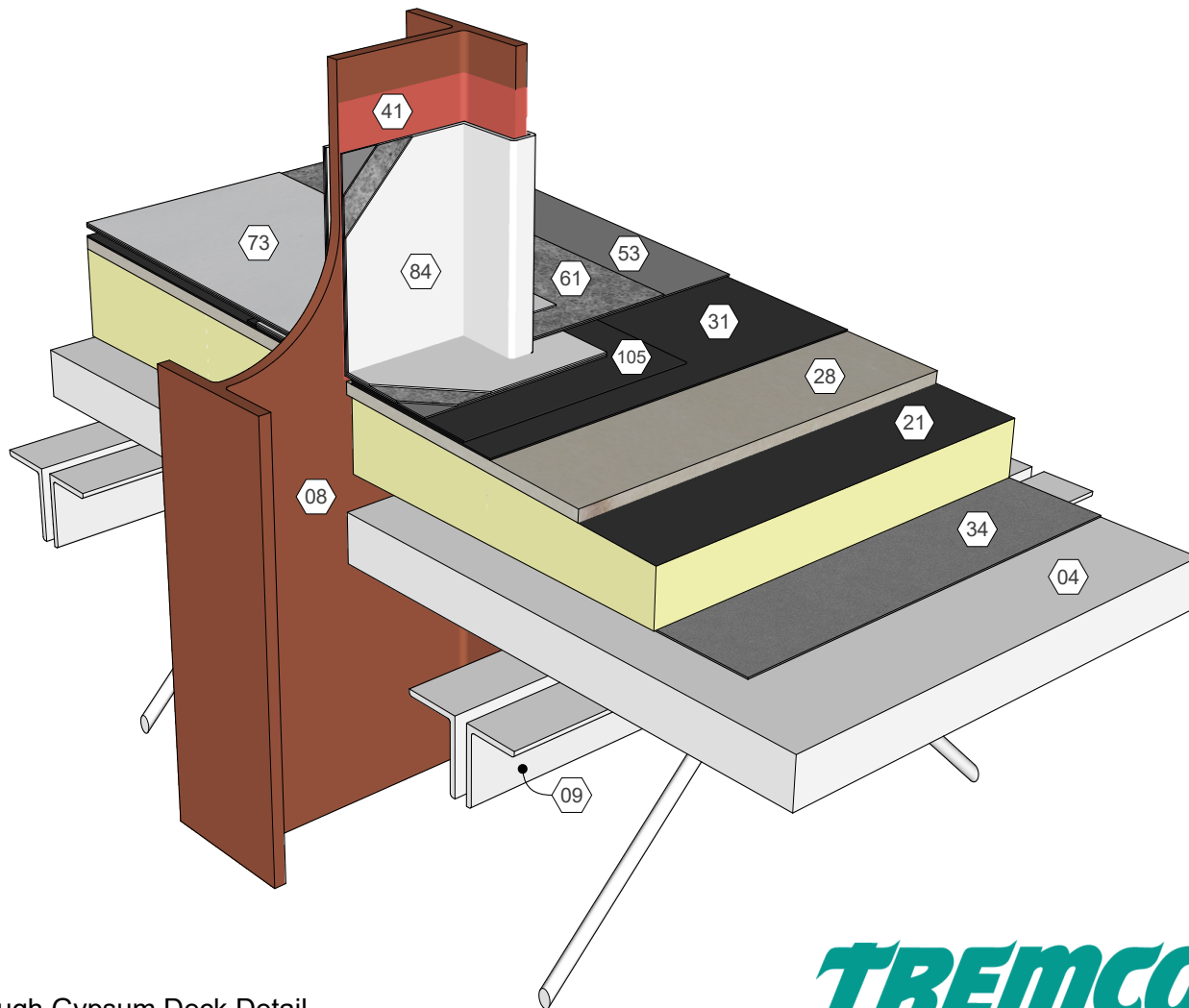
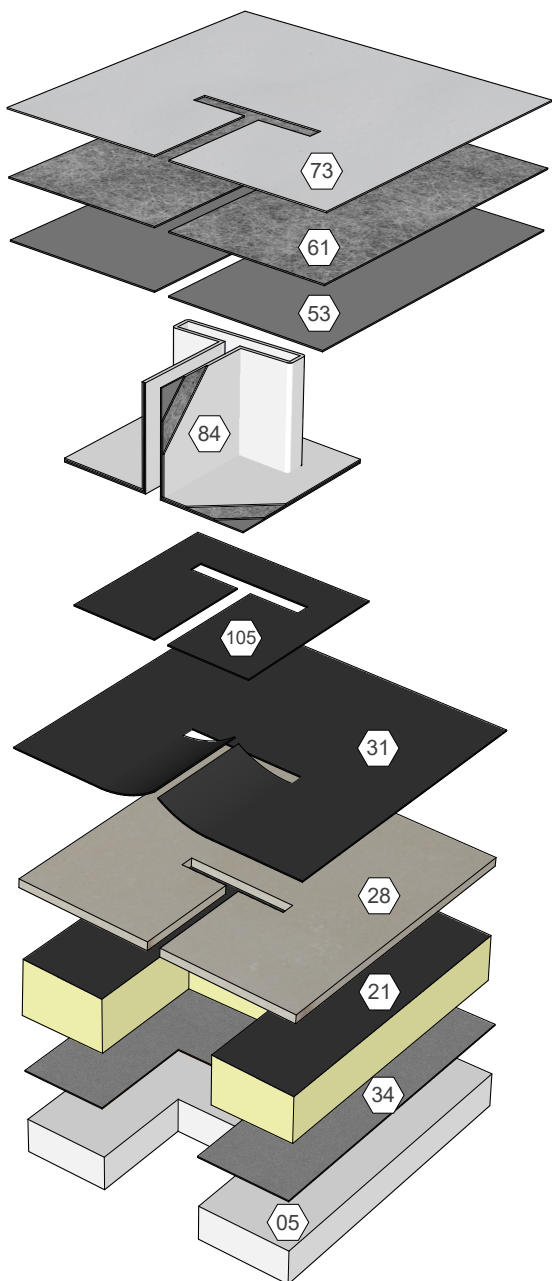
- | | | |
|---|-----------------------------|--------------------------------------|
| 04) Wood Deck | 28) Cover Board (Adhered) | 53) AlphaGuard PUMA Base Coat |
| 08) Structural Member | 31) Approved Base Ply Sheet | 61) AlphaGuard Glass Mat or Permafab |
| 09) Roof Structure | 34) Base Sheet (Fastened) | 73) AlphaGuard PUMA Top Coat |
| 21) Polyisocyanurate Insulation (Adhered) | 41) Approved Primer | 84) AlphaGuard Flashing |
| | | 105) Target Patch |



AlphaGuard® PUMA Plus Structural Member Through Wood Deck Detail
Detail 24144

KEY NOTES

- | | | |
|---|-----------------------------|--------------------------------------|
| 05) Gypsum Deck | 28) Cover Board (Adhered) | 53) AlphaGuard PUMA Base Coat |
| 08) Structural Member | 31) Approved Base Ply Sheet | 61) AlphaGuard Glass Mat or Permafab |
| 09) Roof Structure | 34) Base Sheet (Fastened) | 73) AlphaGuard PUMA Top Coat |
| 21) Polyisocyanurate Insulation (Adhered) | 41) Approved Primer | 84) AlphaGuard Flashing |
| | | 105) Target Patch |



AlphaGuard® PUMA Plus Structural Member Through Gypsum Deck Detail
Detail 24145